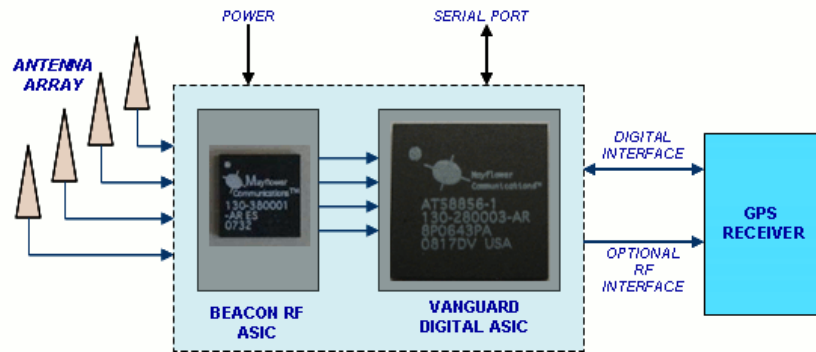


Low-Cost, Low-Power, High Performance Gun-Hard Anti-Jam Solution



Performance Specifications:

- A two-chip solution based on Mayflower Vanguard™ and Beacon™ ASICs
- Operation in GPS L1 and L2 bands
- Mayflower proprietary ATF, ASF and STAP based algorithms
- Digital/RF Interface to Mayflower GPS Receiver
- RF Interface to conventional GPS Receivers
- Gun-hardened to 20,000 gs
- High Dynamics operation
- Interface to passive antenna array (upto 4 elements)
- Design optimized for highspeed spinning applications
- Low Power: < 1W in 2 channel applications, < 2W Full AJ operation
- Weight (estimate): < 0.5 oz (15 grams)
- Size: 8 cm³ (40 mm diameter round board)
- Tailored for Military Precision Guided Munitions

All Mayflower GPS products are designed to withstand gun shocks of over 20,000 gs and well suited for gun-launched projectile applications.

Mayflower has been at the forefront of advancing GPS Receiver and Anti-Jam technologies.

Mayflower's goal has been to provide innovative, advanced technology solutions to Government and Industrial customers that are low-power, low-cost and small in size.

Designed around Mayflower VANGUARD and BEACON ASICs, this Anti-Jam Solution complements Mayflower's Commercial and Military GPS Receiver products.

- Connects to Mayflower GPS Receivers with Digital or RF interface
- Can connect to any COTS GPS receiver through conventional RF interface

This Anti-Jam solution incorporates Mayflower patented digital signal processing algorithms (temporal and spatial processing) to protect against different kinds of jammers.

Protection against multiple jammers.

Capable of working with single antenna and up to 4 antennas.